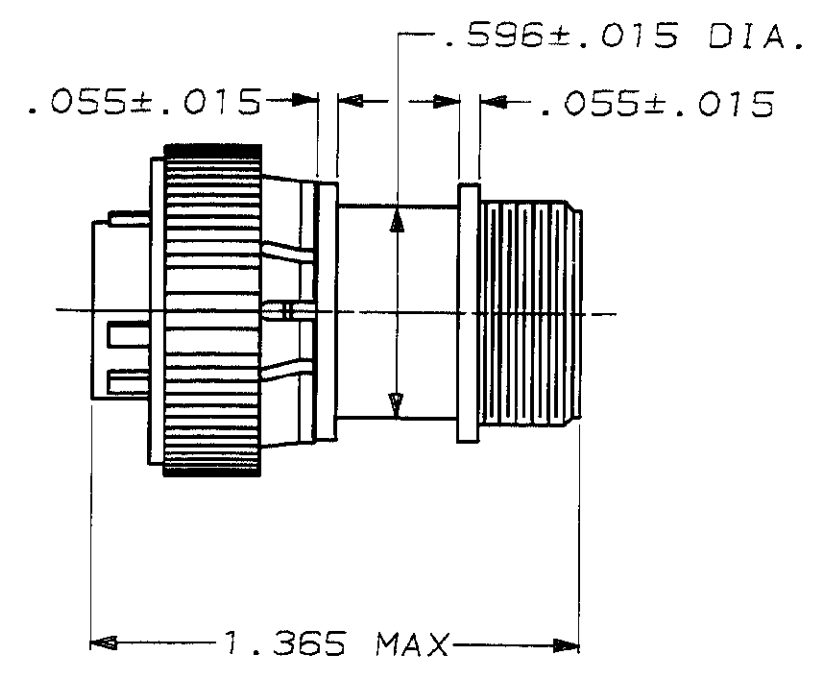
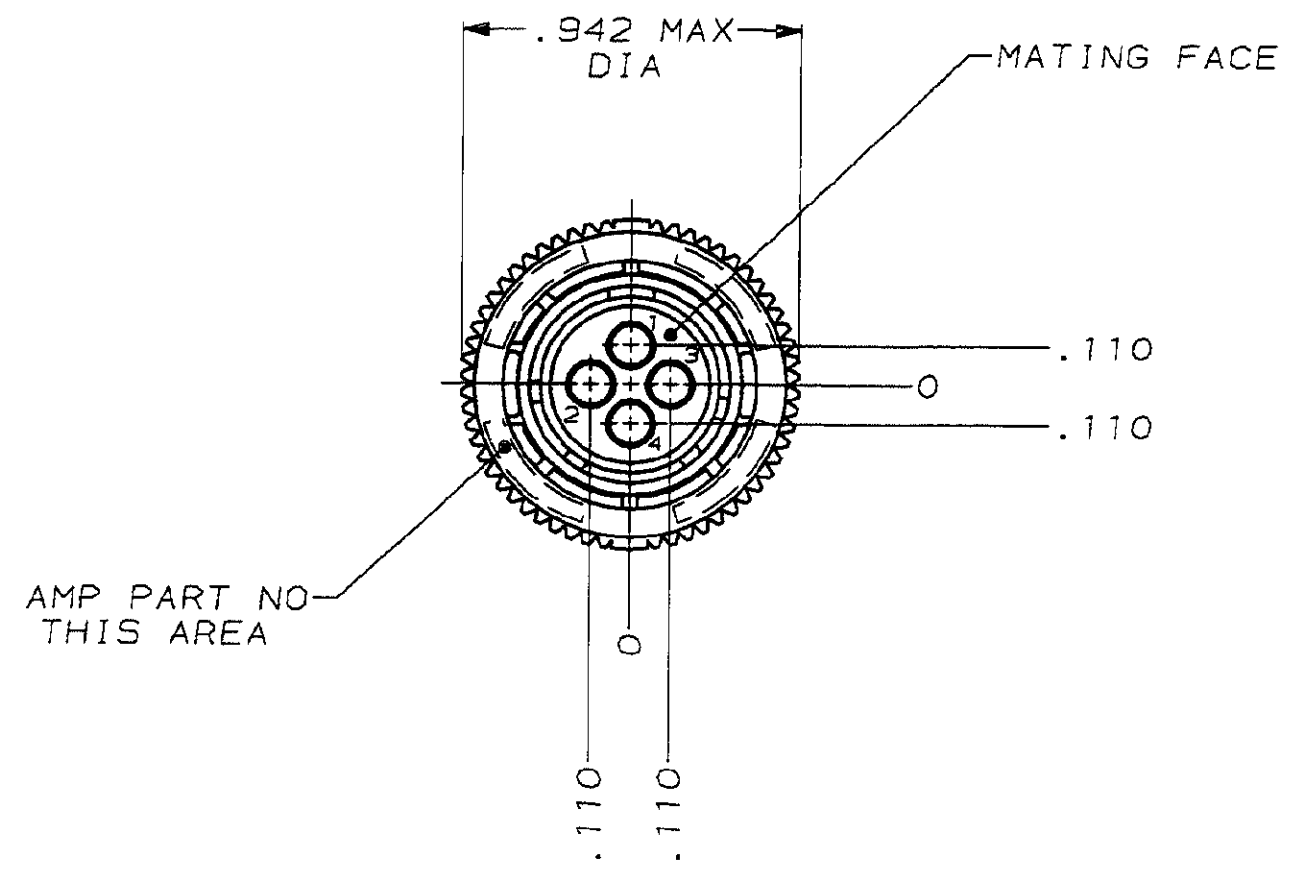


DRAWING MADE IN THIRD ANGLE PROJECTION
 THIS DRAWING IS UNPUBLISHED. RELEASED FOR PUBLICATION .19
 © COPYRIGHT 19 BY AMP INCORPORATED. ALL INTERNATIONAL RIGHTS RESERVED.

MOD	LOC	DIST	P	F	ZONE	LTR	REVISIONS	DATE	APPD
4	BD	35				A	REDRAW & REV PER EC 0020-566-93 & EC 0020-1009-93	08/04/93	AF



- CONTACT CAVITIES IDENTIFIED BY CHARACTERS ON FRONT AND REAR FACES OF CONNECTOR.
- THIS CONNECTOR WILL ACCEPT FOUR (4) MULTIMATE PIN CONTACTS.

211882-1
 PART NUMBER

DO NOT SCALE PRINT. UNLESS SPECIFIED DIMENSIONS IN INCHES TOLERANCES ON : 2 PLC DEC ± 3 PLC DEC ± ANGLES ± -		DR 08/04/93 K.FOLTZ	AMP AMP Incorporated Harrisburg, PA 17105-3608	
MATERIAL THERMOPLASTIC COLOR GREY		CHK 08/12/93 R.STONE		
FINISH -		APPD 08/16/93 A.FRANTUM	NAME CONNECTOR PLUG, SHELL SIZE 11, RVS SEX, FOR PIN CONTACTS, CPC	
-		APPD 08/16/93 A.FRANTUM	SIZE C	CAGE CODE 00779
-		PRODUCT SPEC	DRAWING NO C-211882	SHEET 1 OF 1
-		APPLICATION SPEC	SCALE 1:1	
-		WEIGHT -		

THIS DRAWING IS A CONTROLLED DOCUMENT FOR AMP INCORPORATED. IT IS SUBJECT TO CHANGE AND THE CONTROLLING ENGINEERING ORGANIZATION SHOULD BE CONTACTED FOR THE LATEST REVISION.